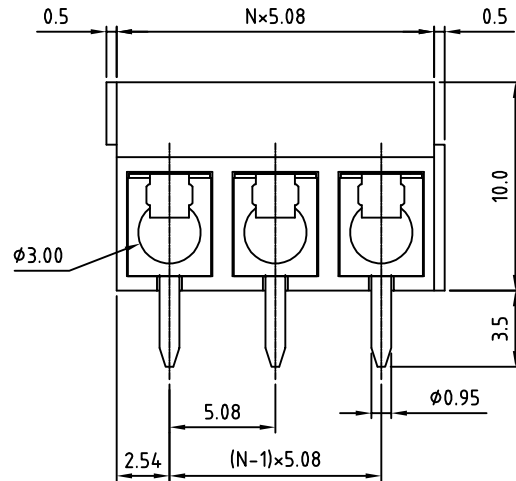
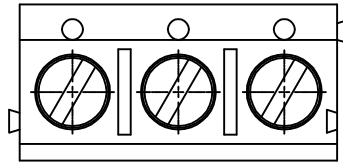
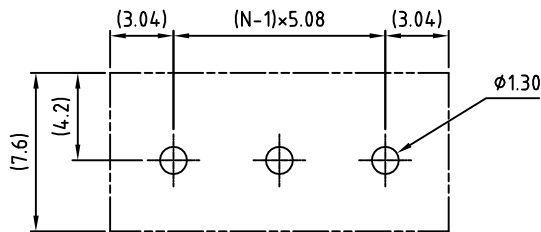
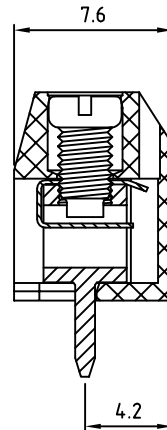


| SIGN | DATE | DESCRIPTION | APPROVER |
|------|------|-------------|----------|
| | | | |
| | | | |
| | | | |

THIS IS CAD DRAWING, DO NOT REVISE MANUALLY!!!



N=NUMBER OF POLES



RECOMMENDED PCB LAYOUT

Material

- Terminal body (metal housing): Brass(CuZn)
- Terminal screw: Steel Zinc plating "-" slot type
- Wire guard: Stainless steel
- Surface of solder tail: Tin plated
- Insulator (housing): Thermoplastic (UL94V-0)

Electrical cULus

- Voltage rating: 300VAC
- Current rating: 15A
- Wire range: Solid wire(AWG): 14-22 Stranded wire(AWG): 14-22
- Torque: 2.6Lb-In
- Screw: M2.6
- Wire strip length: 5-6mm
- Withstanding Voltage: 1.6KV
- Operating temperature: -30°C to +105°C
- Soldering temperature: 250°C±10°C/5 Sec
- Safety Approval: us

RoHS Compliant

PART NUMBER:

OSTTCXX2162

No. of Poles

- 02: 02 Poles
- 03: 03 Poles
- ...
- 24: 24 Poles

COLOR

- 0: Black
- 5: Green
- 6: Blue (Standard)
- 8: Grey

THESE DRAWINGS AND SPECIFICATIONS ARE THE PROPERTY OF ON-SHORE TECHNOLOGY, INC. AND SHALL NOT BE REPRODUCED, COPIED OR USED IN ANY MANNER WITHOUT THE PRIOR WRITTEN CONSENT OF ON-SHORE TECHNOLOGY, INC.



| | | | | | |
|----------|----------------------|-------------------------------|----------------------|--------------|---|
| TITLE | | OSTTC-5.08 Series 2-Interlock | | | |
| PART NO. | OSTTCXX2162 | DWG NO. | OSTTCXX2162.DWG | | |
| APPROVED | CHECKED | DESIGNED | DRAWN | CUST NO. | Tolerance |
| | Marvin 2006.06.23 | Marvin 2006.06.23 | Marvin 2006.06.23 | | X. ±0.50 X.X ±0.30 X.XX ±0.10 X° ±1° |
| | | | | SHEET: 01/01 | REV.: D |